



# Cat<sup>®</sup> D4K2

## TRACK-TYPE TRACTOR

### FEATURES:

- **Cat<sup>®</sup> GRADE with 3D** – New, optional integrated 3D grade control feature with a larger 254 mm (10 in), touchscreen display. Eliminates the need to remove components at the end of day.
- **Cat GRADE with Slope Assist** – Optional grade control feature which helps you more easily achieve the desired blade mainfall and cross slope automatically. Supports AccuGrade™ blade mounted GNSS, laser, or UTS grade control systems.
- **Slope Indicate** – Grade control feature provides you slope of blade in cross slope direction and mainfall (fore/aft) direction without having to estimate.
- **Stable Blade** – Blade control feature helps you obtain a finish grade with less operator effort.
- **Automatic Traction Control** – Traction control feature reduces track slip and undercarriage wear for lower operating costs.
- **Eco Mode** – Engine throttle settings reduce fuel consumption up to 20 percent to save you more money, without sacrificing performance.
- **Heated and Ventilated Seat** – Experience a new level of comfort in all climates with the new optional heated and ventilated air suspension seat.
- **Power Pitch Blade** – This option lets the operator easily adjust the blade pitch to optimize productivity.
- **Engine** – Cat C4.4 ACERT™ diesel engine meets U.S. EPA Tier 4 Final/ EU Stage IV/Japan 2014 (Tier 4 Final) emission standards.
- **Heated, Seat-Mounted Controls** – Heated joysticks (optional) offer even greater comfort in cold climates.
- **Undercarriage** – Choice of undercarriage to give you the lowest costs per hour. Select either the standard sealed and lubricated track (SALT) undercarriage or the innovative SystemOne™ undercarriage.

## Specifications

### Engine

Engine Model	Cat C4.4 ACERT	
Rated Net Power @ 2,200 rpm		
SAE J1349	68.8 kW	92 hp
ISO 9249/EEC 80/1269	68.8 kW	92 hp
Bore	105 mm	4.13 in
Stroke	127 mm	5 in
Displacement	4.4 L	269 in <sup>3</sup>

- Engine meets Tier 4 Final/Stage IV/Japan 2014 (Tier 4 Final) emission standards.

### Weights

Operating Weight – XL	8168 kg	18,007 lb
Operating Weight – LGP	8476 kg	18,686 lb

- Specifications shown are for machine equipped with dozer blade, canopy ROPS, back-up alarm, operator, coolant, lubricants and full fuel tank.
- Enclosed cab adds 225 kg (495 lb).

### Cab

Sound Levels:		
ISO 6396:2008	79 dB(A)	
SAE J1166 FEB2008	79 dB(A)	
ROPS	ISO 6396:2008	
FOPS	ISO 3449:2005 Level II	

### Transmission

Drive Pumps	1	
Track Motors	2	
Relief Valve Settings	48 500 kPa	7,033 psi
Maximum Travel Speed – Forward	9 km/h	5.6 mph
Maximum Travel Speed – Reverse	10 km/h	6.2 mph

### Undercarriage

Number of Rollers (each side)	7	
Number of Shoes (each side) – Sealed and Lubricated Track (SALT) Undercarriage	43	
Number of Shoes (each side) – SystemOne Undercarriage	38	
Shoe Width – XL	460 mm	18 in
Shoe Width – LGP	635 mm	25 in
Length of Track on Ground – XL	2248 mm	89 in
Length of Track on Ground – LGP	2248 mm	89 in
Track Gauge – XL	1550 mm	61 in
Track Gauge – LGP	1725 mm	68 in
Ground Contact Area – XL	20 682 cm <sup>2</sup>	3,206 in <sup>2</sup>
Ground Contact Area – LGP	28 550 cm <sup>2</sup>	4,425 in <sup>2</sup>
Ground Pressure – XL	38.6 kPa	5.6 psi
Ground Pressure – LGP	29.2 kPa	4.2 psi



# D4K2 Track-Type Tractor

## Service Refill Capacities

Fuel Tank	195 L	51.5 gal
Crankcase and Filter	11 L	2.91 gal
Final Drives, XL (each side)	10 L	2.6 gal
Final Drives, LGP (each side)	10 L	2.6 gal
Cooling System	22.4 L	5.92 gal
Transmission/Hydraulic Tank	59.5 L	15.7 gal
Diesel Exhaust Fluid (DEF) Tank	19 L	4.9 gal

## Hydraulic Controls

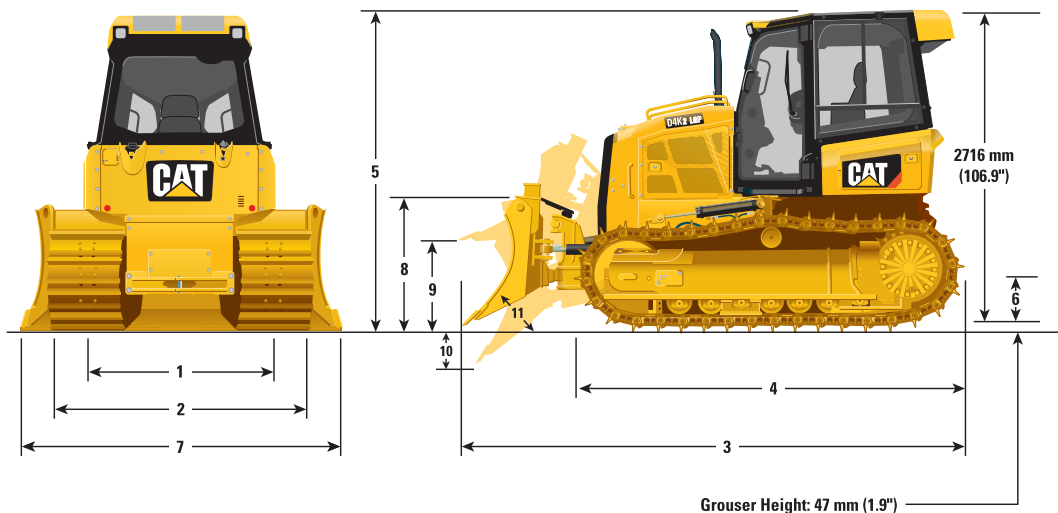
Pump Output	68 L/min	17.7 gal/min
Relief Valve Settings	20 600 kPa	2,988 psi

## Ripper

Type	Parallelogram	
Number of Shanks	3	
Maximum Digging Depth	337.5 mm	13.3 in
Maximum Reach at Ground Line	596 mm	23.5 in
Maximum Ground Clearance Under Tip	448 mm	17.6 in
Overall Width	1710 mm	67.3 in
Height	165 mm	6.5 in
Weight	554 kg	1,222 lb

## Winch

Weight	610 kg	1,345 lb
Winch Drive	Hydrostatic	
Control	Hydraulic	
Speed	Variable	
Winch Length	705 mm	27.76 in
Overall Width	741 mm	29.2 in
Drum Diameter	254 mm	10 in
Drum Width	274 mm	10.8 in
Throat Clearance	171.5 mm	6.75 in
Rope Diameter – recommended	16 mm	0.63 in
Rope Diameter – optional	19 mm	0.75 in
Drum Capacity – recommended cable	113 m	371 ft
Drum Capacity – optional cable	78 m	256 ft
Maximum Line Pull – bare drum	18 144 kg	40,000 lb
Maximum Line Pull – full drum	11 340 kg	25,000 lb
Maximum Line Speed – bare drum	40 m/min	131 ft/min
Maximum Line Speed – full drum	63 m/min	207 ft/min



## Dimensions

	XL		LGP			
<b>1</b> Track Gauge	1550 mm	61 in	1725 mm	67.9 in		
<b>2</b> Width of Tractor (standard shoes, no blade)	2010 mm	79.1 in	2360 mm	92.9 in		
<b>3</b> Overall Length (with blade)	4274 mm	168.3 in	4274 mm	168.3 in		
<b>4</b> Length of Basic Tractor (without blade)	3275 mm	128.9 in	3275 mm	128.9 in		
<b>5</b> Tractor Height	2763 mm	108.8 in	2763 mm	108.8 in		
<b>6</b> Ground Clearance	332 mm	13 in	332 mm	13 in		
<b>BLADE</b>						
		<b>XL</b>	<b>Intermediate</b>		<b>LGP</b>	
<b>7</b> Blade Width	2782 mm	109.5 in	2921 mm	115 in	3149 mm	124 in
<b>8</b> Blade Height	1010 mm	39.8 in	860 mm	33.9 in	910 mm	35.8 in
<b>9</b> Blade Lift Height	743 mm	29.3 in	743 mm	29.3 in	708 mm	27.9 in
<b>10</b> Digging Depth	573 mm	22.5 in	590 mm	23.2 in	590 mm	23.2 in
<b>11</b> Blade Cutting Edge Angle, Adjustable		52° to 58°		52° to 58°		52° to 58°
Maximum Tilt	387 mm	15.2 in	448 mm	17.6 in	438 mm	17.2 in
Maximum Angle (either side)		25°		25°		25°
Blade Width at Maximum Angle	2542 mm	100.1 in	2669 mm	105.1 in	2874 mm	113.1 in
Blade Capacity (SAE)	1.98 m <sup>3</sup>	2.59 yd <sup>3</sup>	1.50 m <sup>3</sup>	1.96 yd <sup>3</sup>	1.85 m <sup>3</sup>	2.42 yd <sup>3</sup>

## STANDARD EQUIPMENT

---

### ELECTRICAL

- Alternator, 12 volt, 120 Amp, heavy duty brushless
- Alarm, backup
- Batteries (2), heavy duty, maintenance free, 1,500 CCA
- Diagnostic connector
- Horn, electric
- Lights, halogen, 2 front and 2 rear
- Starter, electric, 12 volt

### OPERATOR STATION

- ROPS/FOPS canopy
- Seat, air suspended, cloth or vinyl
- Seatbelt, retractable 76 mm (3 in)
- Foot pads, dash
- Electronic Monitoring System with:
  - Gauges for engine coolant temperature, hydraulic oil temperature and fuel level
  - Travel speed limiter, electronic
  - Engine RPM and gear display
  - Hour meter, electric
  - Engine air cleaner service indicator, electronic
  - Water-in-fuel indicator, electronic
- Slope Indicate
- Throttle switch, rotary
- Eco mode
- Controls, seat mounted, fore/aft adjustment
- Armrests, adjustable
- Mirror, rearview, inside
- Single pedal combining deceleration and braking functions
- Independent forward/reverse speed settings
- Power port, 12 volt
- Coat hook
- Storage compartment
- Cup holder
- Floor mat, rubber, heavy duty

### HYDRAULICS

- Hydraulics, 3 valve
- Load sensing hydraulics
- Single lever, three function control
- Hydraulic pump and oil
- Stable blade control

### POWER TRAIN

- Cat C4.4 ACERT diesel engine, turbocharged, Tier 4 Final/Stage IV/ Japan 2014 (Tier 4 Final) certified with aftertreatment
- Aftercooler, Air-to-Air (ATAAC)
- Aluminum bar plate cooling system (radiator, power train)
- Air cleaner with precleaner, automatic dust ejection and under-hood intake
- Dual path, closed-loop hydrostatic transmission
- Electric fuel priming pump
- Fuel/water separator
- Automatic Traction Control

### UNDERCARRIAGE

- SALT Undercarriage
- 7 roller track frame
- Track rollers, lifetime lubricated
- Carrier rollers
- Track adjusters, hydraulic
- Guards, front/rear guiding
- Master link

### OTHER STANDARD EQUIPMENT

- Cat Product Link™ PLE732 Satellite/PLE742 Cellular
- C-Frame, VPAT, hydraulic cylinders and lines
- Lockable engine enclosures
- Front pull device
- Rigid drawbar
- Ecology drains (engine, power train and implement oil and engine coolant)
- Scheduled oil sampling ports (engine, power train implement oil)
- Vandalism protection
- Heavy duty crankcase guard

### ANTIFREEZE

- Extended life coolant, -37° C (-35° F)

# D4K2 Track-Type Tractor

## OPTIONAL EQUIPMENT

### ELECTRICAL

- Integrated four front halogen lights, two rear halogen lights

### POWER TRAIN

- Drive, auxiliary
- Installation, winch

### UNDERCARRIAGE

- Track Pairs, XL:
  - Track, 460 mm (18 in) MS SystemOne
- Track Pairs, LGP:
  - Track, 635 mm (25 in) MS SystemOne

### OPERATOR STATION

- Cab with air conditioning\*
- Cab, polycarbonate windows and air conditioning\*
- Seat, air suspension, choice of:
  - Vinyl, heated seat with heated controls
  - Cloth, heated seat with heated controls
  - Cloth, heated and ventilated seat with heated controls
- Radio, AM/FM, Bluetooth
- Sound suppression

### HYDRAULICS

- Hydraulics, 4 valve for use with ripper
- Hydraulics, 4 valve for use with winch

### GUARDS

- Guard, rear, heavy duty
- Grill, radiator, heavy duty
- Guard, track guiding, center
- Guard, track roller, full length
- Screen, rear, cab
- Screen, side, cab
- Screen, rear, canopy
- Screen, front and doors, canopy
- Sweeps, front
- Sweeps, rear

### BLADES

- VPAT XL blade
- VPAT LGP blade
- VPAT Intermediate blade

### REAR ATTACHMENTS

- Drawbar, towing
- Mounting, winch
- Ripper, parallelogram, includes three shanks and teeth

### REAR ATTACHMENT CONTROL

- Control, ripper
- Control, winch
- Control, ripper and winch

### MACHINE CONTROL AND GUIDANCE

- Cat GRADE with 3D
- Cat GRADE with Slope Assist
- Power Pitch blade control

### STARTING AIDS

- Heater, engine, coolant, 120 volt
- Starting aid, ether

### OTHER ATTACHMENTS

- Machine Security System

### ANTIFREEZE

- Extended life coolant, -50° C (-58° F)

### FIELD INSTALLED ATTACHMENT

- Winch, hydraulic, high performance, 40 m/min (131 ft/min) line speed
- Winch, hydraulic retrieval, 15 m/min (50 ft/min) line speed

### \*Air Conditioning System

The air conditioning system on this machine contains the fluorinated greenhouse gas refrigerant R134a (Global Warming Potential = 1430). The system contains 1.6 kg) of refrigerant which has a CO<sub>2</sub> equivalent of 2.288 metric tonnes.

For more complete information on Cat products, dealer services, and industry solutions, visit us on the web at [www.cat.com](http://www.cat.com)

© 2018 Caterpillar  
All rights reserved

Materials and specifications are subject to change without notice. Featured machines in photos may include additional equipment. See your Cat dealer for available options.

CAT, CATERPILLAR, SAFETY.CAT.COM, their respective logos, "Caterpillar Yellow" and the "Power Edge" trade dress, as well as corporate and product identity used herein, are trademarks of Caterpillar and may not be used without permission.

AEHQ7416-02 (10-2018)  
Replaces AEHQ7416-01

