



Cat[®] 304

MINI EXCAVATOR

FEATURES:

The Cat[®] 304 Mini Excavator delivers power and performance in a compact size to help you work in a wide range of applications.

ALL DAY COMFORT

- Choose either a canopy (not available in some regions) or a sealed and pressurized cab which can be equipped with air conditioning, adjustable wrist rests, and a suspension seat to help keep you working comfortably all day long.

EASY TO OPERATE

- Controls are easy to use and the intuitive Next Generation LCD monitor provides easy to read machine information. An advanced touchscreen monitor can also be equipped as an upgrade option.

STICK STEER TRAVEL MODE

- Moving around the job site is even easier with the Cat Stick Steer option. Easily switch from traditional travel controls with levers and pedals to joystick controls to move the machine and to operate the blade. The benefit of less effort and improved control is in your hands!

BIG PERFORMANCE IN A SMALL MACHINE

- Strong lift and dig performance helps you get the job done faster. The reduced radius tail swing design provides exceptional stability and performance. With a maximum width of 1700 mm (67 in), the 304 can access those hard to get into areas. Dozer float allows for easy clean up. An angle blade is also an option for finished grading and easier backfilling applications.

SAFETY ON THE JOB SITE

- Your safety is our top priority. The Cat mini excavator is designed to help keep you safe on the job. Courtesy work lights and a fluorescent retractable seat belt are just a couple of the safety features we've built into the machine.

SIMPLE SERVICE FOR LESS DOWNTIME

- Maintenance is quick and easy on the Cat mini excavator. Routine check points are easy to access at ground level through the side doors.

LOWER OPERATING COSTS

- Equipped with features such as auto idle, auto engine shutdown, and efficient hydraulics with a variable displacement pump, the Cat mini excavator was designed with reducing your operating costs in mind.

UNMATCHED DEALER SUPPORT

- Your Cat dealer is here to help you reach your business goals. From providing equipment solutions to operator training to service needs and beyond, your Cat dealer is ready to help.

Specifications

Engine

| | | |
|--------------------------------|------------|---------------------|
| Engine Model | C1.7 Turbo | |
| Net Power @ 2,400 rpm | | |
| ISO 9249, 80/1269/EEC | 33.6 kW | 45.0 hp |
| Gross Power @ 2,400 rpm | | |
| SAE J1995:2014 | 36.1 kW | 48.4 hp |
| Bore | 84.0 mm | 3.3 in |
| Stroke | 100.0 mm | 3.9 in |
| Displacement | 1.662 L | 101 in ³ |

- Meets U.S. EPA Tier 4 Final and EU Stage V emission standards.
- Net power advertised is the power available at the flywheel when the engine is at rated speed and rated power when the engine is installed with the factory configured fan, air intake system, exhaust system, and alternator with a minimum alternator load.

Weights

| | | |
|--|---------|----------|
| Minimum Operating Weight with Canopy* | 3925 kg | 8,655 lb |
| Maximum Operating Weight with Canopy** | 4375 kg | 9,647 lb |
| Minimum Operating Weight with Cab* | 4025 kg | 8,875 lb |
| Maximum Operating Weight with Cab** | 4475 kg | 9,867 lb |

- *Minimum Weight is based on rubber tracks, operator, full fuel tank, standard stick, straight blade, no bucket and no extra counterweight.
- **Maximum Weight is based on steel tracks, operator, full fuel tank, long stick, straight blade, extra counterweight and no bucket.



304 Mini Excavator

Weight Increase from Minimum Configuration

| | | |
|---------------|--------|--------|
| Counterweight | 225 kg | 496 lb |
| Long Stick | 30 kg | 66 lb |
| Steel Tracks | 195 kg | 430 lb |
| Angle Blade | 110 kg | 243 lb |

Travel System

| | | |
|-------------------------------------|------------|-----------|
| Travel Speed – High | 5.2 km/h | 3.2 mph |
| Travel Speed – Low | 3.5 km/h | 2.2 mph |
| Maximum Traction Force – High Speed | 19 kN | 4,271 lbf |
| Maximum Traction Force – Low Speed | 32.6 kN | 7,329 lbf |
| Ground Pressure – Minimum Weight | 28.7 kPa | 4.2 psi |
| Ground Pressure – Maximum Weight | 33.8 kPa | 4.9 psi |
| Gradeability (maximum) | 30 degrees | |

Service Refill Capacities

| | | |
|------------------|--------|----------|
| Cooling System | 11.0 L | 2.9 gal |
| Engine Oil | 6.0 L | 1.6 gal |
| Fuel Tank | 63.0 L | 17.0 gal |
| Hydraulic Tank | 52.0 L | 14.0 gal |
| Hydraulic System | 65.0 L | 17.0 gal |

Hydraulic System

| | | |
|--|----------|-------------|
| Load Sensing Hydraulics with Variable Displacement Piston Pump | | |
| Pump Flow @ 2,400 rpm | 96 L/min | 25 gal/min |
| Operating Pressure – Equipment | 245 bar | 3,553 psi |
| Operating Pressure – Travel | 245 bar | 3,553 psi |
| Operating Pressure – Swing | 180 bar | 2,611 psi |
| Auxiliary Circuit – Primary | | |
| Flow* | 65 L/min | 21 gal/min |
| Pressure* | 245 bar | 3,553 psi |
| Auxiliary Circuit – Secondary | | |
| Flow* | 28 L/min | 7.0 gal/min |
| Pressure* | 245 bar | 3,553 psi |
| Digging Force – Stick (standard) | 21.0 kN | 4,721 lbf |
| Digging Force – Stick (long) | 19.2 kN | 4,316 lbf |
| Digging Force – Bucket | 38.2 kN | 8,588 lbf |

*Flow and pressure are not combinable. Under load, as flow rises pressure goes down.

Swing System

| | |
|---------------------|------------|
| Machine Swing Speed | 9.0 rpm |
| Boom Swing – Left | 78 Degrees |
| Boom Swing – Right | 50 Degrees |

Blade

| | | |
|---------------------|------------|---------|
| Width (Straight) | 1700 mm | 66.9 in |
| Height (Straight) | 360 mm | 14.2 in |
| Width (Angle) | 1700 mm | 66.9 in |
| Height (Angle) | 360 mm | 14.2 in |
| Angle Blade – Left | 25 Degrees | |
| Angle Blade – Right | 25 Degrees | |

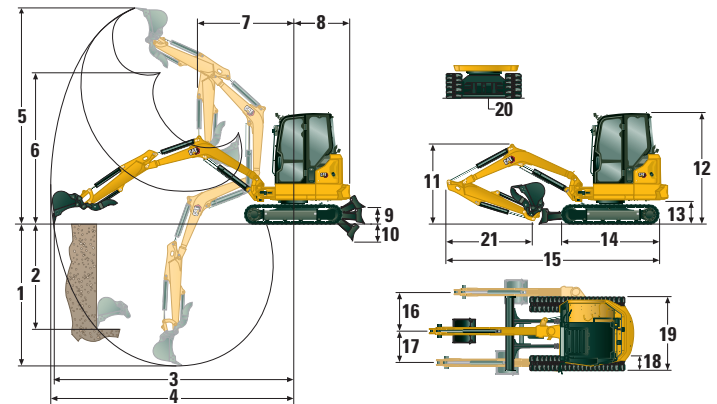
Certification – Cab and Canopy

| | |
|---------------------------------------|------------------------|
| Roll Over Protective Structure (ROPS) | ISO 12117-2:2008 |
| Tip Over Protective Structure (TOPS) | ISO 12117:1997 |
| Top Guard | ISO 10262:1998 Level I |

Sound

| | |
|---|----------|
| Operator Sound Pressure Level (ISO 6396:2008) | 76 dB(A) |
| Exterior Sound Power Level (ISO 6395:2008) | 97 dB(A) |

• European Union Directive “2000/14/EC”



Dimensions

| | Standard Stick | Long Stick |
|--|--------------------|--------------------|
| 1 Dig Depth | 3210 mm (126.4 in) | 3510 mm (138.2 in) |
| 2 Vertical Wall | 2395 mm (94.3 in) | 2535 mm (99.8 in) |
| 3 Maximum Reach at Ground Level | 5200 mm (204.7 in) | 5445 mm (214.4 in) |
| 4 Maximum Reach | 5330 mm (209.8 in) | 5570 mm (219.3 in) |
| 5 Maximum Dig Height | 5040 mm (198.4 in) | 5125 mm (201.8 in) |
| 6 Maximum Dump Clearance | 3645 mm (143.5 in) | 3740 mm (147.2 in) |
| 7 Boom in Reach | 2255 mm (88.8 in) | 2340 mm (92.1 in) |
| 8 Tail Swing | | |
| without Counterweight | 1205 mm (47.4 in) | 1205 mm (47.4 in) |
| with Counterweight | 1300 mm (51.2 in) | 1300 mm (51.2 in) |
| 9 Maximum Blade Height | 420 mm (16.5 in) | 420 mm (16.5 in) |
| 10 Maximum Blade Depth | 475 mm (18.7 in) | 475 mm (18.7 in) |
| 11 Boom Height in Shipping Position | 1620 mm (63.8 in) | 1910 mm (75.2 in) |
| 12 Overall Shipping Height | 2540 mm (100.0 in) | 2540 mm (100.0 in) |
| 13 Swing Bearing Height | 557 mm (21.9 in) | 557 mm (21.9 in) |
| 14 Overall Undercarriage Length | 2210 mm (87.0 in) | 2210 mm (87.0 in) |
| 15 Overall Shipping Length† | 4950 mm (194.9 in) | 4950 mm (194.9 in) |
| 16 Boom Swing Right | 730 mm (28.7 in) | 730 mm (28.7 in) |
| 17 Boom Swing Left | 530 mm (20.9 in) | 530 mm (20.9 in) |
| 18 Track Belt/Shoe Width | 350 mm (13.8 in) | 350 mm (13.8 in) |
| 19 Track Width | 1700 mm (66.9 in) | 1700 mm (66.9 in) |
| 20 Ground Clearance | 305 mm (12.0 in) | 305 mm (12.0 in) |
| 21 Stick Length | 1395 mm (54.9 in) | 1695 mm (66.7 in) |

†Overall Shipping Length depends on blade position during shipment.

Cab

| Lift Capacities – Minimum Configuration | | | Lift Point Radius – 3 m (9.8 ft) | | | Lift Point Radius – 4.5 m (14.8 ft) | | | Lift Point Radius (Maximum) | | | |
|---|----------------|---------|----------------------------------|----------------|---------------|-------------------------------------|-------------|---------------|-----------------------------|---------------|-------------|-------------|
| | | | Over Front | | | Over Side | Over Front | | | Over Side | Over Front | |
| Lift Point Height | | | Blade Down | Blade Up | Blade Down | | Blade Up | Blade Down | Blade Up | | Over Side | |
| 3 m (9.8 ft) | Standard Stick | kg (lb) | *941 (*2,075) | *941 (*2,075) | *941 (*2,075) | | | *698 (*1,539) | *698 (*1,539) | *698 (*1,539) | 4.09 (13.4) | |
| | Long Stick | kg (lb) | | | | | | *699 (*1,541) | *699 (*1,541) | *699 (*1,541) | 4.37 (14.3) | |
| 1.5 m (4.9 ft) | Standard Stick | kg (lb) | *1522 (*3,356) | 1213 (2,675) | 1031 (2,273) | *1040 (*2,293) | 662 (1,460) | 573 (1,263) | *698 (*1,539) | *698 (*1,539) | 555 (1,224) | 4.59 (15.1) |
| | Long Stick | kg (lb) | *1333 (*2,939) | *1333 (*2,939) | 1029 (2,269) | *1008 (*2,223) | 652 (1,438) | 562 (1,239) | *711 (*1,568) | 582 (1,283) | 502 (1,107) | 4.84 (15.9) |
| 0 m (0 ft) | Standard Stick | kg (lb) | *2006 (*4,423) | 1148 (2,531) | 969 (2,137) | | | *846 (*1,865) | 656 (1,446) | 566 (1,248) | 4.46 (14.6) | |
| | Long Stick | kg (lb) | *1933 (*4,262) | 1128 (2,487) | 950 (2,095) | *1142 (*2,518) | 630 (1,389) | 541 (1,193) | *861 (*1,899) | 591 (1,303) | 508 (1,120) | 4.71 (15.5) |

Minimum Weight includes cab, rubber tracks, no counterweight, operator, full fuel tank and straight blade.

| Lift Capacities – Maximum Configuration | | | Lift Point Radius – 3 m (9.8 ft) | | | Lift Point Radius – 4.5 m (14.8 ft) | | | Lift Point Radius (Maximum) | | | |
|---|----------------|---------|----------------------------------|----------------|----------------|-------------------------------------|-------------|---------------|-----------------------------|---------------|---------------|-------------|
| | | | Over Front | | | Over Side | Over Front | | | Over Side | Over Front | |
| Lift Point Height | | | Blade Down | Blade Up | Blade Down | | Blade Up | Blade Down | Blade Up | | Over Side | |
| 3 m (9.8 ft) | Standard Stick | kg (lb) | *941 (*2,075) | *941 (*2,075) | *941 (*2,075) | | | *698 (*1,539) | *698 (*1,539) | *698 (*1,539) | 4.09 (13.4) | |
| | Long Stick | kg (lb) | | | | | | *699 (*1,541) | *699 (*1,541) | *699 (*1,541) | 4.37 (14.3) | |
| 1.5 m (4.9 ft) | Standard Stick | kg (lb) | *1522 (*3,356) | *1522 (*3,356) | 1266 (2,792) | *1040 (*2,293) | 780 (1,720) | 714 (1,574) | *698 (*1,539) | *698 (*1,539) | *698 (*1,539) | 4.59 (15.1) |
| | Long Stick | kg (lb) | *1333 (*2,939) | *1333 (*2,939) | *1333 (*2,939) | *1008 (*2,223) | 769 (1,696) | 703 (1,550) | *711 (*1,568) | *711 (*1,568) | *711 (*1,568) | 4.84 (15.9) |
| 0 m (0 ft) | Standard Stick | kg (lb) | *2006 (*4,423) | 1349 (2,975) | 1204 (2,655) | | | *846 (*1,865) | *846 (*1,865) | 709 (1,563) | 4.46 (14.6) | |
| | Long Stick | kg (lb) | *1933 (*4,262) | 1329 (2,930) | 1185 (2,613) | *1142 (*2,518) | 748 (1,649) | 682 (1,504) | *861 (*1,899) | 702 (1,548) | 641 (1,413) | 4.71 (15.5) |

Maximum Weight includes cab, steel tracks, counterweight, operator, full fuel tank and angle blade.

Canopy

| Lift Capacities – Minimum Configuration | | | Lift Point Radius – 3 m (9.8 ft) | | | Lift Point Radius – 4.5 m (14.8 ft) | | | Lift Point Radius (Maximum) | | | |
|---|----------------|---------|----------------------------------|----------------|---------------|-------------------------------------|-------------|---------------|-----------------------------|---------------|-------------|-------------|
| | | | Over Front | | | Over Side | Over Front | | | Over Side | Over Front | |
| Lift Point Height | | | Blade Down | Blade Up | Blade Down | | Blade Up | Blade Down | Blade Up | | Over Side | |
| 3 m (9.8 ft) | Standard Stick | kg (lb) | *941 (*2,075) | *941 (*2,075) | *941 (*2,075) | | | *698 (*1,539) | *698 (*1,539) | *698 (*1,539) | 4.09 (13.4) | |
| | Long Stick | kg (lb) | | | | | | *699 (*1,541) | *699 (*1,541) | 585 (1,290) | 4.37 (14.3) | |
| 1.5 m (4.9 ft) | Standard Stick | kg (lb) | *1522 (*3,356) | 1176 (2,593) | 1000 (2,205) | *1040 (*2,293) | 640 (1,411) | 555 (1,224) | *698 (*1,539) | *698 (*1,539) | 537 (1,184) | 4.59 (15.1) |
| | Long Stick | kg (lb) | *1333 (*2,939) | *1333 (*2,939) | 999 (2,203) | *1008 (*2,223) | 630 (1,389) | 544 (1,200) | *711 (*1,568) | 562 (1,239) | 485 (1,069) | 4.84 (15.9) |
| 0 m (0 ft) | Standard Stick | kg (lb) | *2006 (*4,423) | 1111 (2,450) | 939 (2,070) | | | *846 (*1,865) | 634 (1,398) | 548 (1,208) | 4.46 (14.6) | |
| | Long Stick | kg (lb) | *1933 (*4,262) | 1091 (2,406) | 919 (2,026) | *1142 (*2,518) | 608 (1,341) | 523 (1,153) | *861 (*1,899) | 570 (1,257) | 490 (1,080) | 4.71 (15.5) |

Minimum Weight includes canopy, rubber tracks, no counterweight, operator, full fuel tank and straight blade.

| Lift Capacities – Maximum Configuration | | | Lift Point Radius – 3 m (9.8 ft) | | | Lift Point Radius – 4.5 m (14.8 ft) | | | Lift Point Radius (Maximum) | | | |
|---|----------------|---------|----------------------------------|----------------|----------------|-------------------------------------|-------------|---------------|-----------------------------|---------------|---------------|-------------|
| | | | Over Front | | | Over Side | Over Front | | | Over Side | Over Front | |
| Lift Point Height | | | Blade Down | Blade Up | Blade Down | | Blade Up | Blade Down | Blade Up | | Over Side | |
| 3 m (9.8 ft) | Standard Stick | kg (lb) | *941 (*2,075) | *941 (*2,075) | *941 (*2,075) | | | *698 (*1,539) | *698 (*1,539) | *698 (*1,539) | 4.09 (13.4) | |
| | Long Stick | kg (lb) | | | | | | *699 (*1,541) | *699 (*1,541) | *699 (*1,541) | 4.37 (14.3) | |
| 1.5 m (4.9 ft) | Standard Stick | kg (lb) | *1522 (*3,356) | *1522 (*3,356) | 1235 (2,723) | *1040 (*2,293) | 758 (1,671) | 696 (1,535) | *698 (*1,539) | *698 (*1,539) | *698 (*1,539) | 4.59 (15.1) |
| | Long Stick | kg (lb) | *1333 (*2,939) | *1333 (*2,939) | *1333 (*2,939) | *1008 (*2,223) | 748 (1,649) | 685 (1,510) | *711 (*1,568) | *711 (*1,568) | *711 (*1,568) | 4.84 (15.9) |
| 0 m (0 ft) | Standard Stick | kg (lb) | *2006 (*4,423) | 1312 (2,893) | 1174 (2,589) | | | *846 (*1,865) | *846 (*1,865) | 691 (1,524) | 4.46 (14.6) | |
| | Long Stick | kg (lb) | *1933 (*4,262) | 1292 (2,849) | 1154 (2,545) | *1142 (*2,518) | 726 (1,601) | 664 (1,464) | *861 (*1,899) | 681 (1,502) | 624 (1,376) | 4.71 (15.5) |

Maximum Weight includes canopy, steel tracks, counterweight, operator, full fuel tank and angle blade.

*The above loads are in compliance with hydraulic excavator lift capacity rating standard ISO 10567:2007 and they do not exceed 87% of hydraulic lifting capacity or 75% of tipping capacity. The excavator bucket weight is not included on this chart.

304 Mini Excavator

Standard and Optional Equipment

Standard and optional equipment may vary. Consult your Cat dealer for details.

| | Standard | Optional | | Standard | Optional |
|---|----------|----------|---|----------|----------|
| ENGINE | | | OPERATOR ENVIRONMENT (continued) | | |
| Cat® C1.7 Turbo Engine (U.S. EPA Tier 4 Final/EU Stage V) | ✓ | | Next Generation Color LCD Monitor (IP66) | ✓ | |
| Automatic Engine Idle | ✓ | | – Fuel Level and Coolant Temperature Gauges | ✓ | |
| Automatic Engine Shutdown | ✓ | | – Maintenance and Machine Monitoring | ✓ | |
| Automatic Two Speed Travel | ✓ | | – Performance and Machine Adjustments | ✓ | |
| Fuel Water Separator | ✓ | | – Numeric Security Code | ✓ | |
| Power on Demand (not available in all regions) | ✓ | | – Multiple Languages | ✓ | |
| Variable Displacement Piston Pump | ✓ | | – Hour Meter with Wake Up Switch | ✓ | |
| Load Sensing/Flow Sharing Hydraulics | ✓ | | – Jog Dial (cab only) | ✓ | |
| HYDRAULICS | | | Next Generation Advanced Monitor | | ✓ |
| Smart Tech Electronic Pump | ✓ | | – Touch Screen | | ✓ |
| Accumulator | ✓ | | – Site Reference System | | ✓ |
| Automatic Swing Brake | ✓ | | – High Definition Camera Capable (IP68 and IP69K) | | ✓ |
| Auxiliary Hydraulic Lines | ✓ | | – Numeric Security Code | | ✓ |
| One and Two Way Auxiliary Flow | ✓ | | UNDERCARRIAGE | | |
| Continuous Auxiliary Flow | ✓ | | Rubber Belt (350 mm/13.8 in) | ✓ | |
| Auxiliary Line Quick Disconnects | ✓ | | Steel Track (350 mm/13.8 in) | | ✓ |
| OPERATOR ENVIRONMENT | | | Steel Track with Rubber Pads | | ✓ |
| Canopy or Cab (Canopy not available in some regions) | ✓ | | Dozer Straight Blade | ✓ | |
| Cab with Air Conditioning | | ✓ | Dozer Blade Float | ✓ | |
| Cab with Heater | | ✓ | Angle Blade | | ✓ |
| Top Guard ISO 10262:1998 Level I | ✓ | | Tie Downs on Track Frame | ✓ | |
| ROPS – ISO 12117-2:2008 | ✓ | | BOOM, STICK AND LINKAGES | | |
| TOPS – ISO 12117:1997 | ✓ | | One Piece Boom (2500 mm/98.4 in) | ✓ | |
| Stick Steer Mode | ✓ | | Standard Stick (1395 mm/54.9 in) | ✓ | |
| Travel Cruise Control | ✓ | | Long Stick (1695 mm/66.7 in) | | ✓ |
| Control Pattern Changer (optional in some regions) | ✓ | | Front Shovel Capable | ✓ | |
| Adjustable Wrist Rests | ✓ | | Pin-On | ✓ | |
| Washable Floor Mat | ✓ | | Dual Lock Manual Coupler | | ✓ |
| Travel Pedals and Hand Levers | ✓ | | Hydraulic Coupler | | ✓ |
| No Travel Pedals and Hand Levers (optional in some regions) | | ✓ | Thumb Ready | ✓ | |
| Machine Security | ✓ | | Certified Lifting Eye | ✓ | |
| Standard Key with Pass Code | ✓ | | Attachments including Couplers, Thumbs, Buckets, Augers and Hammers | | ✓ |
| Push to Start with Key Fob/Pass Code | | ✓ | 2nd Auxiliary Hydraulic Lines | | ✓ |
| Fabric Suspension Seat (Cab only) | ✓ | | Bucket Divert Lines | | ✓ |
| Vinyl Suspension Seat (Canopy only) | ✓ | | Boom Lowering Check Valve | | ✓ |
| Hydraulic Lockout – All Controls | ✓ | | Stick Lowering Check Valve | | ✓ |
| Retractable High Visibility Seat Belt (75 mm/3 in) | ✓ | | Hydraulic Quick Coupler Lines | | ✓ |
| Coat Hook | ✓ | | ELECTRICAL | | |
| Cup Holder | ✓ | | 12 Volt Battery | ✓ | |
| Storage Pocket | ✓ | | Software (machine and monitor) | ✓ | |
| Skylight | ✓ | | Maintenance Free Battery | ✓ | |
| Mounting Bosses for Front | ✓ | | Battery Disconnect | ✓ | |
| Signaling/Warning Horn | ✓ | | 12 Volt Power Socket | ✓ | |
| Interior Light (Cab only) | ✓ | | Product Link™ PL243 (regulations apply) | | ✓ |
| Boom Light, Halogen (not available in all regions) | ✓ | | Product Link PLE643 (regulations apply) | | ✓ |
| LED Front Lights | | ✓ | Travel Alarm (optional in some regions) | ✓ | |
| LED Front and Rear Lights | | ✓ | GUARDING | | |
| LED Boom Light | | ✓ | Polycarbonate Half Height Front Guard (Canopy only) | | ✓ |
| Utility Space for Mobile Phone | ✓ | | Polycarbonate Front Guard (ISO 10262:1998 Level I and EN356 P5A) | | ✓ |
| Mirrors, Left, Right and Rear | | ✓ | Heavy Duty Front Guard ISO 10262:1998 Level II | | ✓ |
| Camera | | ✓ | Heavy Duty Top Guard 10262:1998 Level II (Cab only) | | ✓ |
| Radio – Bluetooth®, Auxiliary, Microphone, USB (charging only) (Cab only) | | ✓ | OTHER | | |
| | | | Bio Oil Capable | | ✓ |
| | | | Eco Drain | | ✓ |
| | | | Water Jacket Heater | | ✓ |
| | | | Counterweight (225 kg/496 lb) | ✓ | |

For more complete information on Cat products, dealer services, and industry solutions, visit us on the web at www.cat.com

© 2021 Caterpillar
All rights reserved

Materials and specifications are subject to change without notice. Featured machines in photos may include additional equipment. See your Cat dealer for available options.

CAT, CATERPILLAR, LET'S DO THE WORK, their respective logos, "Caterpillar Corporate Yellow," the "Power Edge" and Cat "Modern Hex" trade dress as well as corporate and product identity used herein, are trademarks of Caterpillar and may not be used without permission.

AEHQ8377-01 (09-2021)
Replaces AEHQ8377
Build Number: 07A
(North America, Europe,
Australia/New Zealand)

