



Cat[®] CS64B

Smooth Drum Vibratory Soil Compactor

The Cat[®] CS64B features a smooth drum and is ideally suited for granular soil applications or cohesive soil applications with the use of an optional padfoot shell kit.

Comfortable and Ergonomic Operator Station

- Features pivoting seat with integrated multifunction LCD display and control console.
- Outstanding visibility to the front and rear of machine
- Low sound levels and vibration for greater operator comfort and productivity.

Exceptional Propel System

- Built around the exclusive Cat dual pump propel system, two pumps provide separate dedicated flow to drum drive motor and rear axle motor for exceptional gradeability and traction in forward and reverse.

Virtually Maintenance Free

- Maintenance-free hitch bearings.
- Extended maintenance intervals for vibratory system and hydraulic system, providing more uptime and lower maintenance costs.

Enhanced Compaction Performance

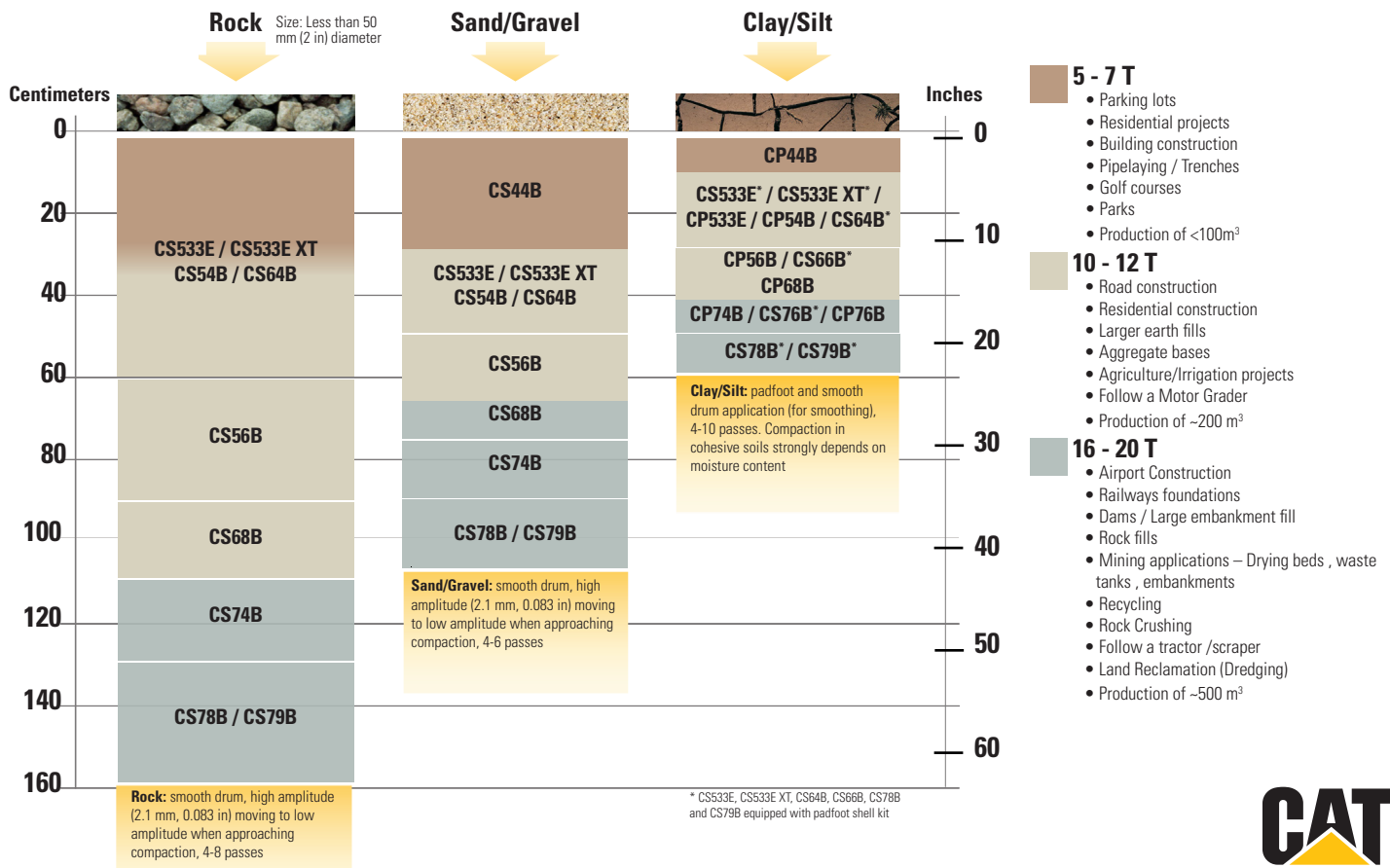
- More weight at the drum and greater amplitude.
- Auto vibe function makes it easy to ensure consistent, high quality compaction.

Cat Compaction Control

- Helps operator determine when compaction has been completed to specification for greater productivity and uniform compaction quality.
- Accelerometer-based (CMV) and exclusive Machine Drive Power (MDP) measurement technologies available.

VIBRATORY SOIL COMPACTOR SELECTION GUIDE

Assumes density specification is 95% of Standard Proctor and can vary substantially due to different soil conditions.



Cat® CS64B Vibratory Soil Compactor

Technical Specifications

Engine - Power Train

Engine Model	Cat C4.4	
Global Emissions	US EPA Tier 3 EU Stage IIIA	
Gross Power ISO 14396	96.5 kW	129.4 hp
Displacement	4.4 L	268.5 in ³
Stroke	127 mm	5 in
Bore	105 mm	4.1 in
Max. Travel Speed (Forward or Reverse)	11.2 km/h	7 mph
Theoretical Gradeability, no vibration*	55%	

Weights

Operating Weight w/ ROPS/FOPS canopy	11 855 kg	26,136 lb
Operating Weight w/ ROPS/FOPS cab	12 055 kg	26,576.7lb
Weight at Drum w/ ROPS/FOPS canopy	7027 kg	15,690 lb
Weight at Drum w/ ROPS/FOPS cab	7120 kg	15,690 lb

Additional Weight with:

Oval Padfoot Shell Kit	+ 1730 kg	+ 3,814 lb
Square Padfoot Shell Kit	+ 1880 kg	+ 4,145 lb

Vibratory System Specifications

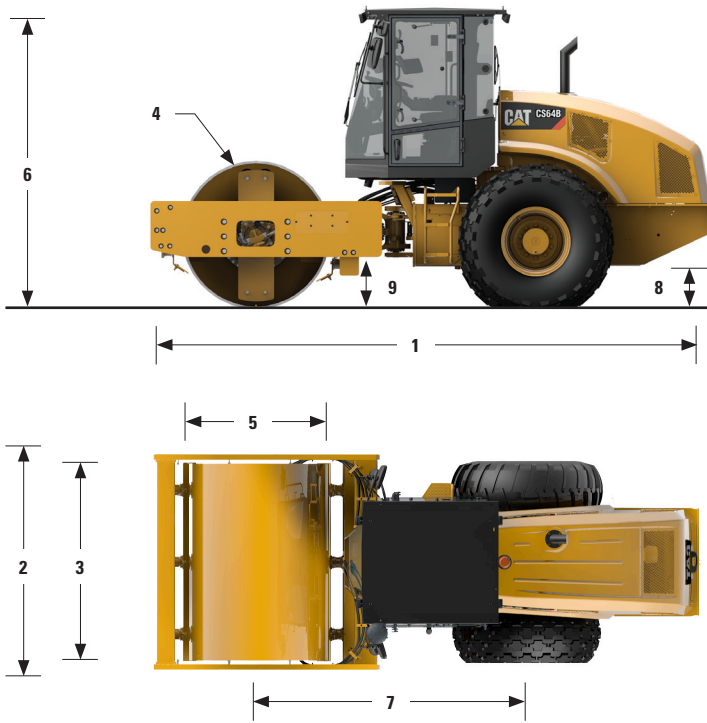
Frequency		
Standard	30.5 Hz	1830 vpm
During Eco-mode Operation	27.7 Hz	1664 vpm
Optional Variable Frequency	23.3-30.5 Hz	1400-1830 vpm
Nominal Amplitude @ 30.5 Hz (1830 vpm)		
High	1.9 mm	0.075 in
Low	0.95 mm	0.037 in
Centrifugal Force @ 30.5 Hz (1830 vpm)		
Maximum	234 kN	52,600 lb
Minimum	133 kN	29,900 lb
Static Linear Load		
w/ ROPS/FOPS canopy	32.9 kg/cm	184.2 lbs/in
w/ ROPS/FOPS cab	33.4 kg/cm	186.8 lbs/in

Service Refill Capacities

Fuel Tank, total capacity	242 L	64 gal
Cooling System	25.4 L	6.7 gal
Engine Oil w/ Filter	8.5 L	2.2 gal
Eccentric Weight Housings	26 L	6.9 gal
Axle and Final Drives	18 L	4.8 gal
Hydraulic Tank (service refill)	50 L	13.2 gal

* Actual gradeability may vary based on site conditions and machine configuration. Refer to the Operation and Maintenance Manual for more information.

Cat® CS64B Vibratory Soil Compactor



Dimensions

1	Overall Length	5.85 m	19.21 ft
2	Overall Width	2.30 m	7.53 ft
3	Drum Width	2134 mm	84 in
4	Drum Shell Thickness	25 mm	1 in
5	Drum Diameter	1534 mm	60.4 in
6	Maximum Overall Height	3.11 m	10.2 ft
7	Wheelbase	2.9 m	9.5 ft
8	Ground Clearance	442 mm	17.4 in
9	Curb Clearance	491 mm	19.3 in
	Inside Turning Radius	3.68 m	12.07 ft
	Hitch Articulation Angle	34°	
	Hitch Oscillation Angle	15°	

Optional Padfoot Shell Kit Specifications

Number of Pads	120	
Pad Height, oval pads	90 mm	3.5 in
Pad Face Area, oval pads	63.5 cm ²	9.8 in ²
Pad Height, optional square pads	90 mm	3.5 in
Pad Face Area, optional square pads	123 cm ²	19.1 in ²
Number of Chevrons	16	

Cat® CS64B Vibratory Soil Compactor

Standard and Optional Equipment

Standard and optional equipment may vary. Consult your Cat dealer for details.

	Standard	Optional		Standard	Optional
OPERATOR ENVIRONMENT			POWER TRAIN		
Open Platform with Handrails/Guardrails, Floor Mat	✓		Cat C4.4 Diesel Engine	✓	
Vinyl Adjustable Pivoting Seat with Integrated Console and LCD Display	✓		Air Cleaner, Dual Element	✓	
Adjustable Tilting Steering Column with Integrated Cup Holders	✓		Eco-mode	✓	
Seat Belt	✓		Dual Propel Pumps; One for Drum Drive, One for Rear Axle	✓	
12-volt Power Outlet	✓		Fuel Filter, Water Separator, Priming Pump, Water Indicator	✓	
Horn, Backup Alarm	✓		Tilting Radiator/Hydraulic Oil Cooler	✓	
Steel Sun Canopy		✓	Dual Braking System	✓	
ROPS/FOPS Canopy		✓	Two-speed Hydrostatic Transmission	✓	
ROPS/FOPS Cab with Climate Control		✓	Transmission Guard		✓
Internal Rear View Mirror		✓	CAT COMPACTION CONTROL TECHNOLOGY		
External Rear View Mirrors		✓	Measure - Machine Drive Power and/or CMV		✓
Sun Visor		✓	Map - SBAS GNSS Mapping		✓
Cab Internal Roll-down Sun Screen		✓	Connect - Machine to Machine Communication		✓
VIBRATORY SYSTEM			ELECTRICAL		
Smooth Drum	✓		24 volt Electrical System	✓	
Dual Amplitude, Single Frequency	✓		75 ampere Alternator	✓	
Dual Pod-Style Eccentric Weight Housings	✓		750 Cold-cranking Amps Battery Capacity	✓	
Auto-vibe Function	✓		OTHER		
Front Adjustable Steel Scraper	✓		Product Link™	✓	
Padfoot Shell Kit (oval or square pads available)		✓	Sight Gauges for Hydraulic Oil Level and Radiator Coolant Level	✓	
Variable Frequency		✓	S:O-S SM Sampling Valves: Engine Oil, Hydraulic Oil and Coolant	✓	
Dual Adjustable Steel Scrapers		✓	Upgraded Halogen Light Package		✓
Dual Adjustable Polyurethane Scrapers		✓	Rotating Beacon		✓
			Fuel Fill Access Door		✓

For more complete information on Cat products, dealer services, and industry solutions, visit us on the web at www.cat.com

© 2019 Caterpillar
All rights reserved

Materials and specifications are subject to change without notice. Featured machines in photos may include additional equipment. See your Cat dealer for available options.

CAT, CATERPILLAR, LET'S DO THE WORK, their respective logos, "Caterpillar Yellow," the "Power Edge" and Cat "Modern Hex" trade dress as well as corporate and product identity used herein, are trademarks of Caterpillar and may not be used without permission.

VisionLink is a trademark of Trimble Navigation Limited, registered in the United States and in other countries.

QEHQ2465 (09-2019)
Replaces QEHQ1834-04 (05-2016)
LRC

