

# 444

## Backhoe Loader



### **C3.6 Stage V Engine**

The Cat® C3.6 engine meets EU Stage V emission standards while delivering up to a 10% fuel efficiency improvement compared to the previous model. The aftertreatment system is completely maintenance free with Selective Catalytic Reduction (SCR), Diesel Exhaust Fluid (DEF) and a fit for life Diesel Particulate Filter (DPF) system. This new engine delivers power and torque density as per the C4.4 engine installed in the previous model.

### **Optimal Operator Comfort and Control**

EH Seat Mounted Controls are standard on the 444. These give the operator better comfort and more flexibility by allowing the operator to control either hoe, loader or both from any seat position (front, rear or offset).

### **Interactive Display Screens**

The choice of either a soft key or touchscreen display screen gives the operator information at the touch of their fingertips. Many customizable features including hoe response rate and modulation are now offered. Machine Security Software is embedded into the display screen as well as notifications on service intervals.

### **Excavator Style Boom**

The Excavator Style Boom is iconic to the Cat backhoe loader (BHL). This gives the operator more dig depth and reach when working around obstacles meaning less repositioning of the machine is required.

### **Powerful and Efficient Hydraulics**

The load sensing hydraulic system coupled with a variable displacement piston pump deliver powerful hydraulics when the operator really requires it.

### **Power Management Modes**

The operator can choose between Eco Mode, Standard Mode or Standard Plus dependent on job and site conditions. Eco Mode will save the operator fuel, lowering their owning and operating costs, where Standard Plus Mode will give more speed and power when time or tough ground conditions demand this.

### **Product Link™**

Product Link™ comes as standard on the Cat BHL. Many features exist through Product Link including fuel burn and location allowing the owner to access all data to help increase productivity while reducing costs.

# 444 Backhoe Loader Specifications

## Engine

	<b>EU Stage V (Standard)</b>	<b>EU Stage V (Optional)</b>
Engine	C3.6 74.5 kW Electronic Turbo Intercooled	C3.6 82 kW Electronic Turbo Intercooled
Ratings at 2,200 rpm		
Gross Power SAE J1995	76 kW/103 hp	84 kW/114 hp
Gross Power ISO 14396	74 kW/101 hp	82 kW/111 hp
Net Power Rating @ 2,200 rpm		
SAE J1349	68 kW/92 hp	76 kW/103 hp
ISO 9249	68 kW/92 hp	75 kW/102 hp
Torque Rise (net)	48% @ 1,500 rpm	48% @ 1,500 rpm
Net Torque – SAE J1349	436 N·m	485 N·m
Bore	98 mm	98 mm
Stroke	120 mm	120 mm
Displacement	3.6 L	3.6 L

- Net power advertised is the power available at the flywheel when the engine is equipped with fan, air cleaner, muffler and alternator.
- No derating required up to 3048 m altitude. Auto derate protects hydraulic and transmission systems.
- Meets EU Stage V emission standards.

## Transmission

Travel speeds of backhoe loader at full throttle, when equipped with 440/80-28 rear tires.

	<b>Auto-Shift Transmission (Standard)</b>	<b>Auto-Shift Transmission with Lock-Up Torque Converter (Optional)</b>
Forward		
1st	6 km/h	6 km/h
2nd	10 km/h	10 km/h
3rd	12 km/h	12 km/h
4th	20 km/h	20 km/h
5th	27 km/h	27 km/h
6th	40 km/h	40 km/h
Reverse		
1st	6 km/h	6 km/h
2nd	12 km/h	12 km/h
3rd	27 km/h	27 km/h
4th	—	—

# 444 Backhoe Loader Specifications

## Axle Ratings

Front Axle, AWD	
Static	22 964 kg
Dynamic	9186 kg
Rear Axle	
Static	22 964 kg
Dynamic	9186 kg

## Weights\*

Operating Weight*	9462 kg	
Operating Weight (maximum) (ROPS capacity)	11 500 kg	
Cab, ROPS/FOPS	Standard	
Auto-Shift Transmission	Standard	
Ride Control	15 kg	
Air Conditioning	32 kg	
All-Wheel Drive	Standard	
MP Bucket (1.3 m <sup>3</sup> )		
with Fold-over Forks	1020 kg	
without Fold-over Forks	841 kg	
Loader QC	185 kg	
4.3 m Extendible Stick (excludes front counterweight)	199 kg	
4.9 m Extendible Stick (excludes front counterweight)	355 kg	
Maximum Counterweight	115 kg	
Minimum Counterweight Recommendations – Standard Stick		
Loader Bucket	<b>No QC</b>	<b>IT Loader with QC</b>
GP	0 kg	115 kg
MP	0 kg	115 kg
Minimum Counterweight Recommendations – Extendible Stick		
Loader Bucket	<b>No QC</b>	<b>IT Loader with QC</b>
GP	0 kg	115 kg
MP	0 kg	115 kg
Total Gross Weight Not to Exceed	11 500 kg	

\*Machine Configuration – HRC 74.5 kW engine; 4.3 m standard stick hoe; standard cab with A/C; AWD auto-shift transmission; 1.3 m<sup>3</sup> MP loader bucket; 600 mm standard duty hoe bucket; 440/80R28 tires; no counterweight; 80 kg operator; full fuel tank.

## Hydraulic System

Type	Closed Center
Pump Type	Variable-Flow, Axial Piston
Pump Capacity @ 2,200 rpm	187 L/min
System Pressure	
Backhoe	250 bar
Loader	250 bar

## Steering

Type	Front Wheel
Power Steering	Hydrostatic
AWD Cylinder, One (1) Double-acting	
Bore	85 mm
Stroke	117 mm
Rod Diameter	42 mm
Axle Oscillation	8 mm

## Turning Circle (28" Tires)

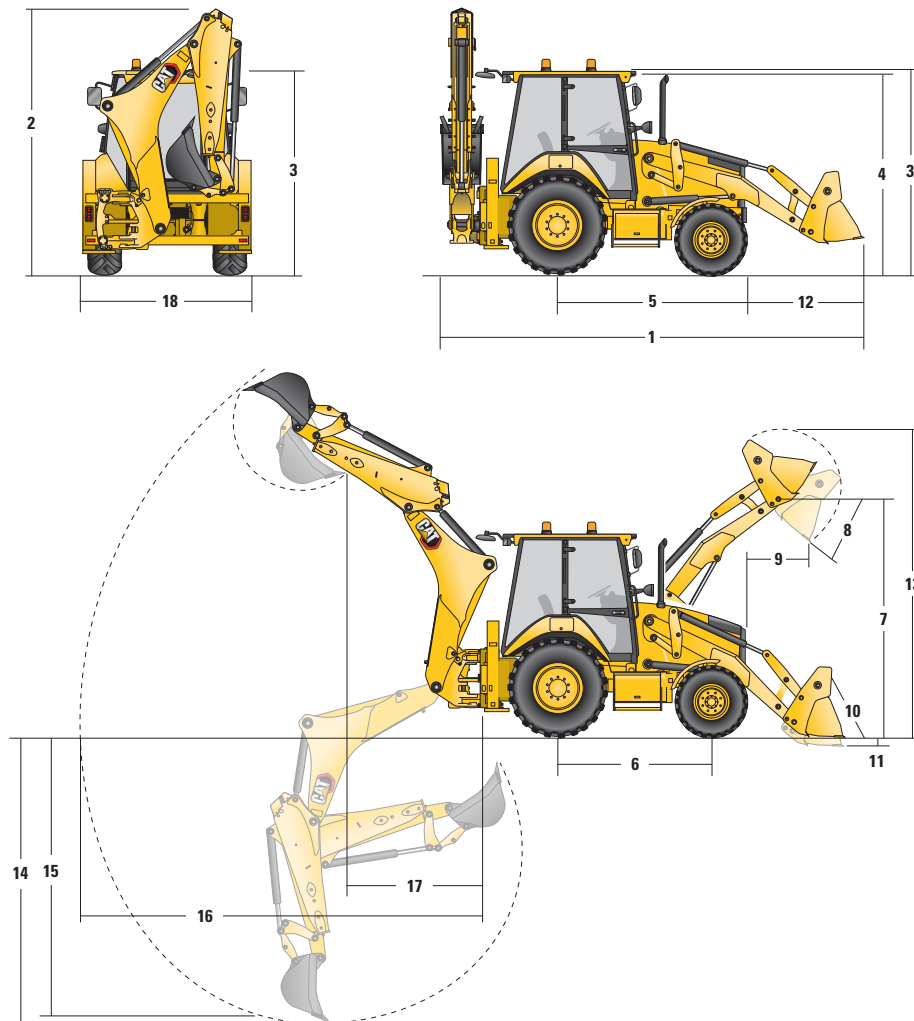
2WD/AWD (inner wheel not braked)	
Outside Front Wheels	9.8 m
Outside Widest Loader Bucket	12.59 m

## Service Refill Capacities

Cooling System with A/C	17.5 L
Fuel Tank	160 L
Engine Oil with Filter	9 L
Diesel Exhaust Fluid	19 L
<b>Transmission (Auto-Shift)</b>	
AWD	19 L
Rear Axle	16 L
Planetaries	1.7 L
Front Axle (AWD)	14 L
Planetaries	1.7 L
Hydraulic System	95 L
Hydraulic Tank	42 L

# 444 Backhoe Loader Specifications

## Machine Dimensions



	Parallel Lift Loader			Parallel Lift Loader with QC	
	GP – 1.3 m <sup>3</sup>	MP – 1.3 m <sup>3</sup>	MP with Forks – 1.3 m <sup>3</sup>	GP/QC – 1.3 m <sup>3</sup>	MP/QC – 1.3 m <sup>3</sup>
<b>1</b> Overall Length in roading position (15 degree approach angle and hoe stowed to side) S-Stick	5824 mm	5847 mm	5847 mm	5840 mm	5877 mm
Overall Transportation Length (loader on ground and hoe stowed to side) S-Stick	5859 mm	5889 mm	5889 mm	5933 mm	5978 mm
<b>2</b> Overall Transport Height (standard stick)	3826 mm	3826 mm	3826 mm	3826 mm	3826 mm
Overall Transport Height (extendible stick) (4.9 m)	4005 mm	4005 mm	4005 mm	4005 mm	4005 mm
Overall Width	2322 mm	2322 mm	2322 mm	2322 mm	2322 mm
<b>3</b> Height to Top of Cab/Canopy	2897 mm	2897 mm	2897 mm	2897 mm	2897 mm
<b>4</b> Height to Top of Exhaust Stack	2861 mm	2861 mm	2861 mm	2861 mm	2861 mm
<b>5</b> Rear Axle Centerline to Front Grill	2795 mm	2795 mm	2795 mm	2795 mm	2795 mm
<b>6</b> Wheelbase AWD	2235 mm	2235 mm	2235 mm	2235 mm	2235 mm

Dimensions and performance specifications shown are for machines equipped with 440/80R28 tires, standard cab, standard stick with 600 mm standard duty bucket, and 1.3 m<sup>3</sup> MP loader bucket and standard equipment unless otherwise specified.

# 444 Backhoe Loader Specifications

## Loader Bucket Dimensions and Performance

	1.3 m <sup>3</sup> Buckets			Parallel Lift Loader with QC	
	GP – 1.3 m <sup>3</sup>	MP – 1.3 m <sup>3</sup>	MP with Forks – 1.3 m <sup>3</sup>	GP/QC – 1.3 m <sup>3</sup>	MP/QC – 1.3 m <sup>3</sup>
Capacity (SAE rated)	1.3 m <sup>3</sup>	1.3 m <sup>3</sup>	1.3 m <sup>3</sup>	1.3 m <sup>3</sup>	1.3 m <sup>3</sup>
Width	2434 mm	2434 mm	2434 mm	2434 mm	2434 mm
Lift Capacity at Maximum Height	4663 kg	4310 kg	4130 kg	4416 kg	4046 kg
Lift Breakout Force	60 672 N	57 112 N	55 303 N	57 809 N	53 966 N
Tilt Breakout Force	62 442 N	58 441 N	57 041 N	55 980 N	50 955 N
Tipping Load at Breakout Point	7503 kg	7109 kg	6937 kg	7054 kg	6606 kg
<b>7</b> Maximum Hinge Pin Height	3615 mm	3615 mm	3615 mm	3615 mm	3615 mm
<b>8</b> Dump Angle at Full Height	45°	45°	45°	45°	45°
Dump Height at Maximum Angle	2847 mm	2826 mm	2826 mm	2794 mm	2763 mm
<b>9</b> Dump Reach at Maximum Angle	923 mm	944 mm	944 mm	971 mm	1008 mm
<b>10</b> Maximum Bucket Rollback at Ground Level	42°	42°	42°	42°	42°
<b>11</b> Digging Depth	56 mm	56 mm	56 mm	59 mm	55 mm
Maximum Grading Angle	111°	111°	111°	110°	108°
<b>12</b> Grill to Bucket Cutting Edge, Carry Position	1464 mm	1488 mm	1488 mm	1482 mm	1518 mm
<b>13</b> Maximum Operating Height	4617 mm	4621 mm	4621 mm	4663 mm	4685 mm
Weight (does not include teeth)	472 kg	827 kg	1020 kg	637 kg	989 kg

## Backhoe Dimensions and Performance

	Standard Stick	E-stick Retracted – 4.3 m	E-stick Extended – 4.3 m	E-stick Retracted – 4.9 m	E-stick Extended – 4.9 m
	<b>14</b> Digging Depth, SAE Maximum	4331 mm	4335 mm	5312 mm	4686 mm
Digging Depth, Manufacturer's Maximum	4826 mm	4831 mm	5747 mm	5271 mm	6218 mm
<b>15</b> Digging Depth, 2400 mm Flat Bottom	3956 mm	3960 mm	5022 mm	4341 mm	5416 mm
Digging Depth, 600 mm Flat Bottom	4288 mm	4291 mm	5278 mm	4654 mm	5671 mm
Digging Depth, 600 mm Flat Bottom, Manufacturer's	4818 mm	4823 mm	5744 mm	5244 mm	6215 mm
Reach from Rear Axle Centerline at Ground Line	6742 mm	6748 mm	7673 mm	7219 mm	8171 mm
<b>16</b> Reach from Swing Pivot at Ground Line	5652 mm	5658 mm	6583 mm	6129 mm	7081 mm
Maximum Operating Height	5596 mm	5595 mm	6163 mm	6172 mm	6869 mm
Loading Height	3927 mm	3938 mm	4505 mm	4495 mm	5192 mm
<b>17</b> Loading Reach	1808 mm	1758 mm	2641 mm	1696 mm	2482 mm
Swing Arc	180°	180°	180°	180°	180°
Bucket Rotation	205°	205°	205°	205°	205°
<b>18</b> Stabilizer Spread, Overall Width	2352 mm	2352 mm	2352 mm	2352 mm	2352 mm
Bucket Dig Force	63 433 N	63 404 N	63 404 N	63 414 N	63 414 N
Stick Dig Force	42 770 N	43 468 N	31 646 N	47 173 N	35 084 N

# 444 Standard and Optional Equipment

## Standard and Optional Equipment

Standard and Optional equipment may vary. Consult your Cat dealer for details.

	Standard	Optional		Standard	Optional
<b>Cab ROPS and FOPS</b>			<b>Hydraulics</b>		
Cab, Standard	✓		Variable Displacement Piston Pump	✓	
Cab, Deluxe		✓	Hydraulic Quick Disconnects		✓
<b>Tires/Steering/Brakes</b>			Side Shift Lock	✓	
All Wheel Drive	✓		Hydraulic Oil Cooler	✓	
100% Differential Lock	✓		Hydraulic Lines, One Way		✓
Hydraulic Boosted Brakes	✓		Hydraulic Lines, Two Way		✓
Tires 24 inch	✓		Loader Kickout, Float	✓	
Tires 28 inch		✓	Loader Kickout, Return to Dig	✓	
<b>Engine/Transmission</b>			Powered Side Shift		✓
Engine, C3.6 74.5 kW	✓		Ride Control		✓
Engine, C3.6 82 kW		✓	Continuous Flow	✓	
Battery, 750 CCA, Standard	✓		Programmable Auxiliary Flow	✓	
Battery, 750 CCA, Heavy Duty		✓	<b>Booms, Sticks and Linkages</b>		
Hinged Radiator Pack	✓		Stick Standard, 4.3 m	✓	
Auto Idle	✓		Stick Extending, 4.3 m		✓
Forward-Neutral-Reverse (FNR) on Loader Lever	✓		Stick Extending, 4.9 m		✓
Eco Mode	✓		Hoe Quick Coupler, Mechanical		✓
Standard Mode	✓		Hoe Quick Coupler, Hydraulic		✓
Standard + Mode	✓		Loader Quick Coupler, Hydraulic		✓
Engine Block Heater		✓	Transport Lock, Swing	✓	
Transmission Neutralizer	✓		Transport Lock, Boom	✓	
Transmission, Six Speed Automatic	✓		<b>Other Attachments</b>		
Transmission, Six Speed with Lock-Up Torque Converter		✓	Counterweight, 115 kg		✓
<b>Controls</b>			Front Fenders		✓
Controls, EH	✓		Street Pads, Stabilizers		✓
Pattern Selector (ISO/SAE)	✓		External Tool Box	✓	
Power Steering, Hydrostatic	✓		Transport Tie Downs	✓	
			<b>Electrical</b>		
			Display Screen, Soft Key	✓	
			Display Screen, Touchscreen		✓
			Product Link Cellular		✓
			Product Link Satellite		✓
			Reversing Alarm	✓	
			Stabilizer Alarm	✓	
			Beacon, Rotating		✓
			Beacon, Strobe		✓



# 444 Backhoe Loader

For more complete information on Cat products, dealer services, and industry solutions, visit us on the web at [www.cat.com](http://www.cat.com)

© 2020 Caterpillar  
All rights reserved

Materials and specifications are subject to change without notice. Featured machines in photos may include additional equipment. See your Cat dealer for available options.

CAT, CATERPILLAR, LET'S DO THE WORK, their respective logos, "Caterpillar Yellow," the "Power Edge" and Cat "Modern Hex" trade dress as well as corporate and product identity used herein, are trademarks of Caterpillar and may not be used without permission.

AEHQ8252 (01-2020)  
Build Number: 07  
(Europe)

