



# 745

## Articulated Truck

# Technical Specifications

Configurations and features may vary by region. Please consult your Cat® dealer for availability in your area.

### Table of Contents

<b>Specifications</b> .....	<b>2</b>
Engine .....	2
Weights .....	2
Air Conditioning System .....	2
Body Capacities .....	2
Transmission .....	2
Sound Levels .....	2
Operating Weights .....	3
Body Plate .....	3
Body Hoist .....	3
Service Refill Capacities .....	3
Standards .....	3
Dimensions .....	4
Turning Circle .....	5
Steering .....	5
Optimal Loader/Truck Pass Matching .....	5
Gradeability/Speed/Rimpull .....	6
Retarding Performance .....	7
<b>Standard and Optional Equipment</b> .....	<b>8</b>

# 745 Articulated Truck Specifications

## Engine

Engine Model	Cat C18	
Gross Power (SAE J1995:2014)	381 kW	511 hp
Net Power (SAE J1349:2011)	370 kW	496 hp
Engine Power (ISO 14396:2002)	376 kW	504 hp
Bore	145 mm	5.7 in
Stroke	183 mm	7.2 in
Displacement	18.1 L	1,106 in <sup>3</sup>

- Advertised power is tested at 1,700 rpm.
- The net power advertised is the power available at the flywheel when the engine is equipped with alternator, air cleaner, aftertreatment and fan at minimum speed.
- Net power when the fan is at maximum speed is 348 kW (467 hp) per the SAE reference conditions.
- The C18 meets U.S. EPA Tier 4 Final/EU Stage V emission standards.
- DEF used in Cat SCR systems must meet the requirements outlined in ISO 22241-1. ISO 22241-1 requirements are met by many brands of DEF, including those that carry the AdBlue or API certifications.

No Engine Derating Required Below	3050 m	10,000 ft
Peak Engine Torque Gross (SAE J1995:2014)	2618 N·m	1,931 lbf·ft
Peak Engine Torque Net (SAE J1349:2011)	2558 N·m	1,887 lbf·ft
Peak Engine Torque Speed	1,200 rpm	

## Weights

Rated Payload	41 tonnes	45.2 tons
---------------	-----------	-----------

## Air Conditioning System

- The air conditioning system on this machine contains the fluorinated greenhouse gas refrigerant R134a (Global Warming Potential = 1430). The system contains 1.2 kg of refrigerant which has a CO<sub>2</sub> equivalent of 1.716 metric tonnes.

## Body Capacities

Heaped SAE 2:1	25 m <sup>3</sup>	32.7 yd <sup>3</sup>
Struck	18.5 m <sup>3</sup>	24.2 yd <sup>3</sup>
Tailgate Heaped SAE 2:1	26.5 m <sup>3</sup>	34.7 yd <sup>3</sup>
Tailgate Struck	19.5 m <sup>3</sup>	25.5 yd <sup>3</sup>

## Transmission

Forward 1	6.1 km/h	3.8 mph
Forward 2	8.1 km/h	5 mph
Forward 3	11.2 km/h	7 mph
Forward 4	14.1 km/h	8.8 mph
Forward 5	18.7 km/h	11.6 mph
Forward 6	22.9 km/h	14.2 mph
Forward 7	31.5 km/h	19.6 mph
Forward 8	37.9 km/h	23.5 mph
Forward 9	54.8 km/h	34 mph
Reverse 1	6.4 km/h	4 mph
Reverse 2	14.6 km/h	9.1 mph

## Sound Levels

Interior Cab	72 dB(A)
--------------	----------

- The declared dynamic operator sound pressure level is 72 dB(A) when ISO 6396:2008 is used to measure the value for an enclosed cab. The measurement was conducted at 70% of the cooling fan's maximum speed. The sound level may vary at different cooling fan speeds. The measurement was conducted with the cab doors and the cab windows closed. The cab was properly installed and maintained.
- Hearing protection may be needed when operating with an open operator station and cab or when not properly maintained or with doors/windows open for extended periods or in noisy environments.

# 745 Articulated Truck Specifications

## Operating Weights

Front Axle – Empty	19 738 kg	43,515 lb
Center Axle – Empty	6944 kg	15,309 lb
Rear Axle – Empty	6682 kg	14,731 lb
Total – Empty	33 363 kg	73,553 lb
Front Axle – Rated Load	5900 kg	13,007 lb
Center Axle – Rated Load	17 550 kg	38,691 lb
Rear Axle – Rated Load	17 550 kg	38,691 lb
Total – Rated Load	41 000 kg	90,390 lb
Front Axle – Loaded	25 638 kg	56,522 lb
Center Axle – Loaded	24 494 kg	54,000 lb
Rear Axle – Loaded	24 232 kg	53,422 lb
Total – Loaded	74 363 kg	163,942 lb

## Body Plate

High Strength Brinell HB450 Wear Resistant Steel		
Front	7 mm	0.28 in
Chute	14 mm	0.55 in
Side	11 mm	0.43 in
Base	14 mm	0.55 in

## Body Hoist

Raise (manual)	12 seconds
Raise (automatic)	13 seconds
Lower (manual)	10 seconds
Lower (automatic)	10 seconds

## Service Refill Capacities

Fuel Tank	550 L	145.3 gal
DEF Tank	25 L	5.3 gal
Cooling System	90 L	23.7 gal
Brake Cooling Tank	67 L	17.7 gal
Steering/Hoist Hydraulic System	140 L	36.9 gal
Engine Crankcase	52 L	13.7 gal
Transmission/OTG	75 L	19.8 gal
Final Drives (each)	5 L	1.3 gal
Axles (each)	60 L	15.8 gal

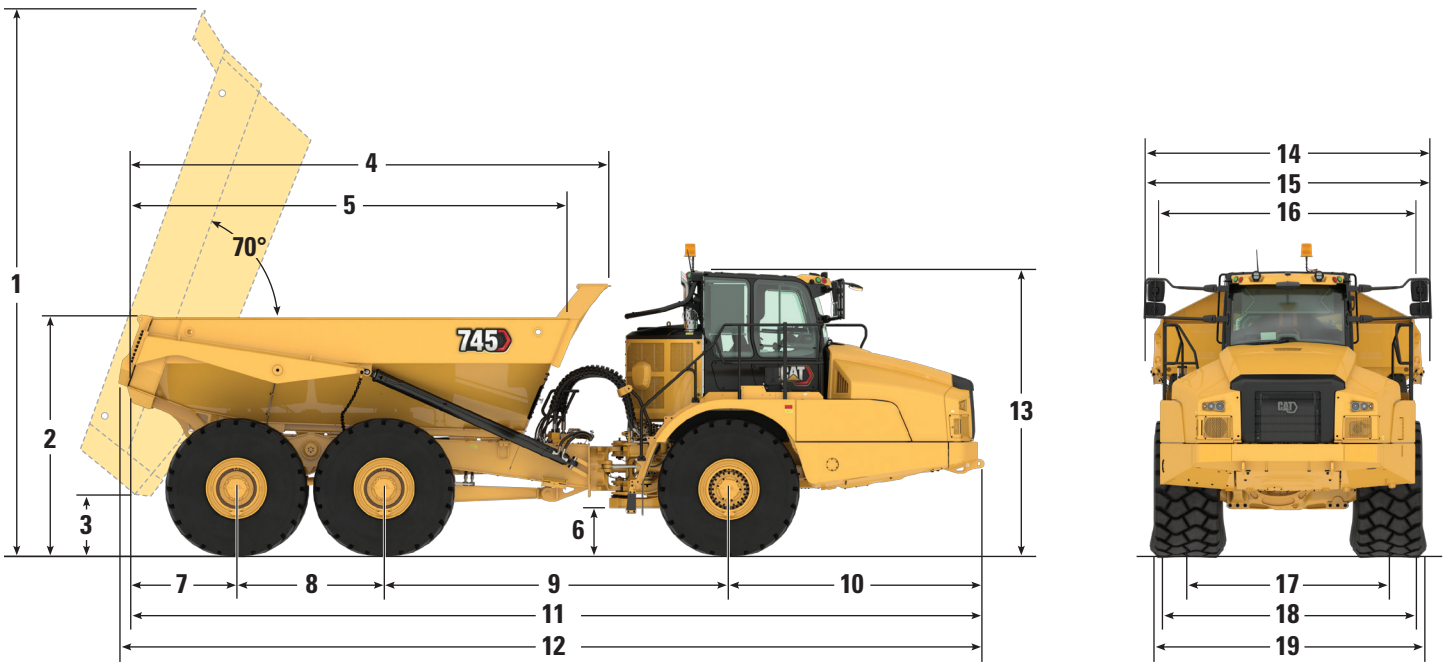
## Standards

Brakes	ISO 3450:2011
Cab/FOPS	ISO 3449: 2005 Level II
Cab/ROPS	ISO 3471:2008
Steering	ISO 5010:2019

# 745 Articulated Truck Specifications

## Dimensions

All dimensions are approximate.



	mm	ft/in
<b>1</b> Body Height Fully Tipped	7310	24'0"
<b>2</b> Load over Height	3178	10'6"
<b>3</b> Ground Clearance – Body Fully Tipped	779	2'7"
<b>4</b> Body Length	6457	21'2"
<b>5</b> Body Length Inside	5900	19'4"
<b>6</b> Ground Clearance	590	1'11"
<b>7</b> Rear Axle Center to Body Rear	1448	4'9"
<b>8</b> Mid Axle to Rear Axle Center	1966	6'5"
<b>9</b> Mid Axle to Front Axle (Centers)	4590	15'1"
<b>10</b> Front Axle Center to Machine Front	3418	11'3"
<b>11</b> Overall Length	11 422	37'6"
<b>12</b> Overall Length with Tailgate	11 550	37'11"
<b>13</b> Height Transport Position	3762	12'4"
<b>14</b> Overall Width	3801	12'6"
<b>15</b> Width over Tailgate/Width Including Tailgate	3774	12'5"
<b>16</b> Body Width	3422	11'3"
<b>17</b> Track Width	2687	8'10"
<b>18</b> Width over Fenders	3370	11'1"
<b>19</b> Max Laden over Tire Bulge	3500	11'6"

# 745 Articulated Truck Specifications

## Turning Circle

Dimensions are for machines equipped with 29.5R25 tires.

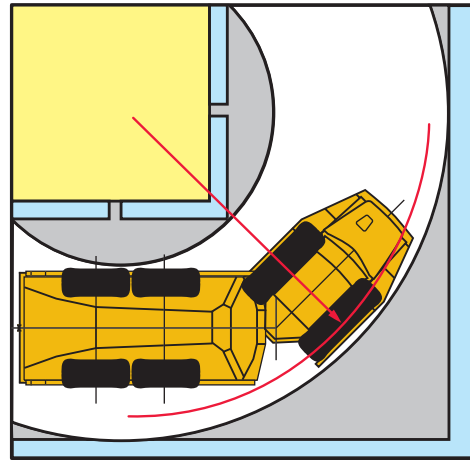
### Turning Dimensions

Steer Angle – From Center Left/Right	45°	
SAE Turning Radius	8625 mm	340 in
Clearance Radius	9082 mm	356 in
Inside Radius	4413 mm	174 in
Aisle Width	5917 mm	233 in

## Steering

Lock to Lock

4.8 seconds @ 60 rpm



## Optimal Loader/Truck Pass Matching

### Hydraulic Excavators

	<b>390</b>	<b>374</b>
Passes	4	5

### Wheel Loaders

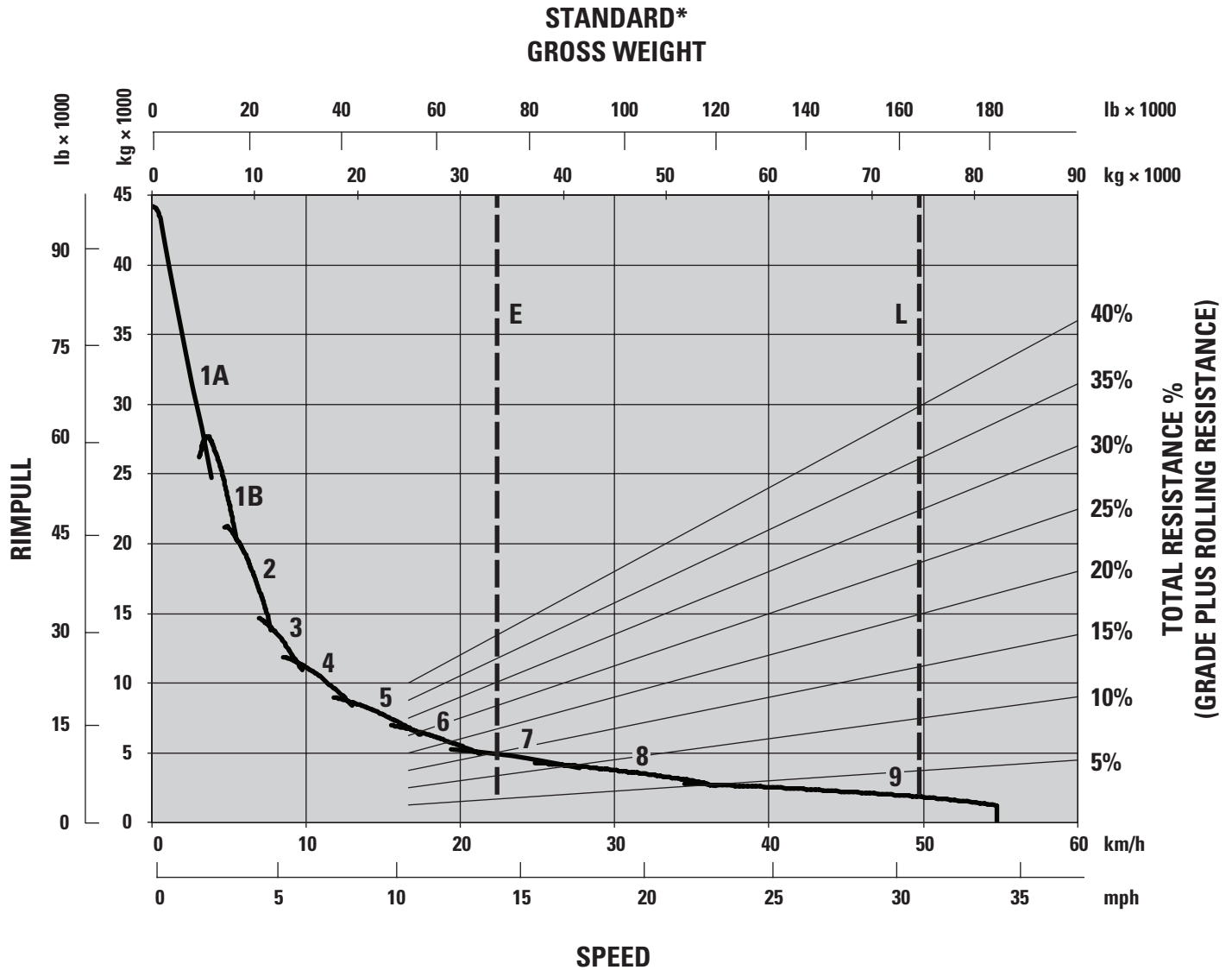
	<b>982</b>	<b>980</b>	<b>972</b>
Passes	4	4-5	4-5

An optimum system match gives you a major productivity advantage. Having matched loading and hauling tools results in increased production and lower system costs per unit of volume moved.

# 745 Articulated Truck Specifications

## Gradeability/Speed/Rimpull

To determine performance, read from Gross Weight down to % Total Resistance. Total Resistance equals actual % grade plus 1% for each 10 kg/metric ton (20 lb/ton) of Rolling Resistance. From this point, read horizontally to the curve with the highest attainable speed range. Then, go down to Maximum Speed. Usable Rimpull depends on traction available.



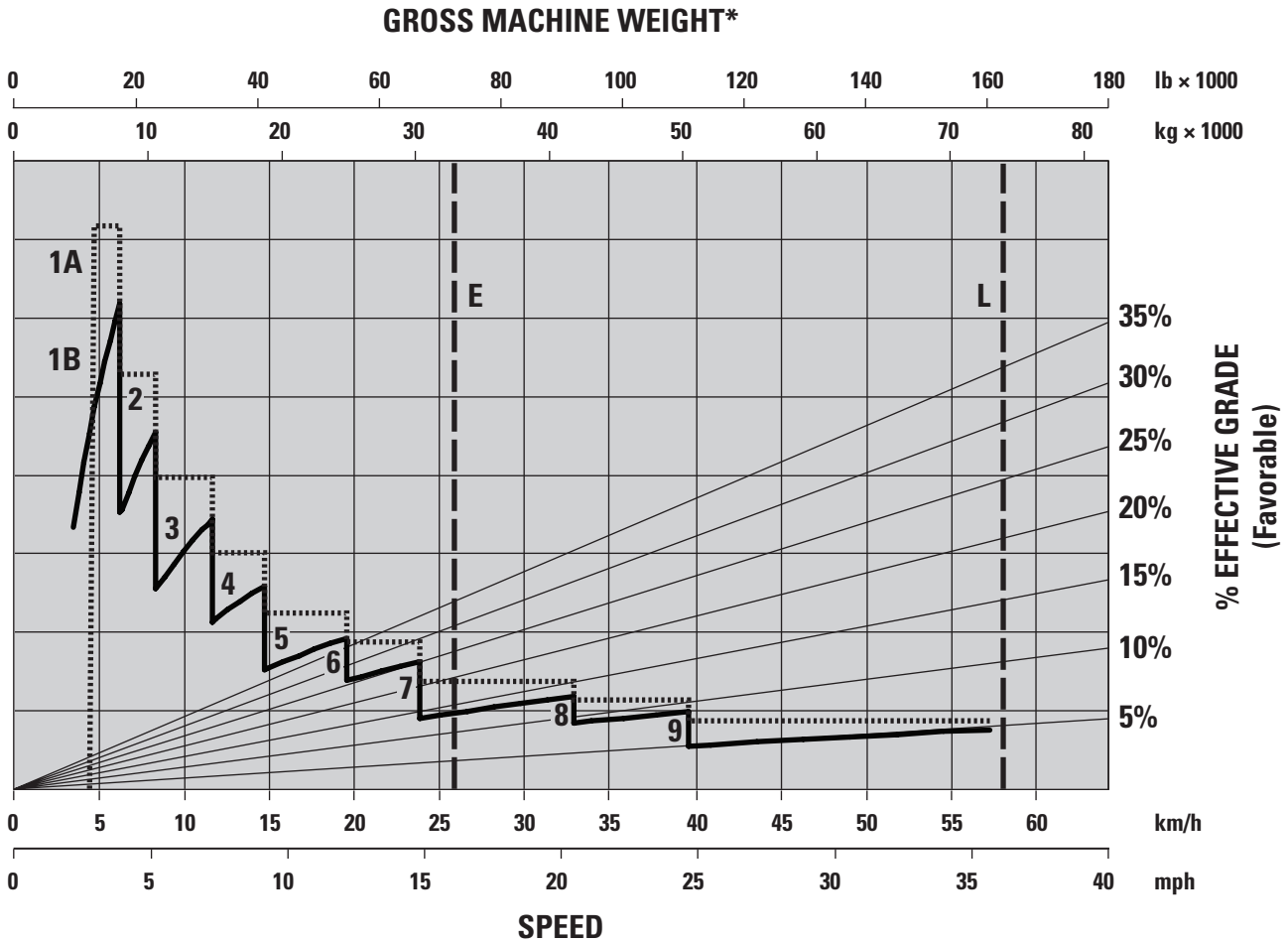
- 1A – 1st Gear (Converter Drive)
- 1B – 1st Gear (Direct Drive)
- 2 – 2nd Gear
- 3 – 3rd Gear
- 4 – 4th Gear
- 5 – 5th Gear
- 6 – 6th Gear
- 7 – 7th Gear
- 8 – 8th Gear
- 9 – 9th Gear

- E – Empty 33 600 kg (74,100 lb)
- L – Loaded 74 600 kg (164,500 lb)
- \* at sea level

# 745 Articulated Truck Specifications

## Retarding Performance

To determine performance, read from Gross Weight down to % Effective Grade. Effective Grade equals actual % favorable grade plus 1% for each 10 kg/metric ton (20 lb/ton) of Rolling Resistance. From this point, read horizontally to the curve with the highest attainable speed range. Then, go down to Maximum Speed. Retarding effect on these curves represents full application of the retarder.



- 1A – 1st Gear (Converter Drive)
- 1B – 1st Gear (Direct Drive)
- 2 – 2nd Gear
- 3 – 3rd Gear
- 4 – 4th Gear
- 5 – 5th Gear
- 6 – 6th Gear
- 7 – 7th Gear
- 8 – 8th Gear
- 9 – 9th Gear

- E – Empty 33 600 kg (74,100 lb)
- L – Loaded 74 600 kg (164,500 lb)
- \* at sea level
- Manual
- ..... Automatic

# 745 Articulated Truck Standard & Optional Equipment

## Standard and Optional Equipment

Standard and optional equipment may vary. Consult your Cat dealer for details.

	Standard	Optional		Standard	Optional
<b>OPERATOR ENVIRONMENT</b>			<b>TECHNOLOGY</b>		
Air conditioning with R134a refrigerant	✓		Cat Detect with Stability Assist	✓	
Adjustable air vents	✓		Cat Production Measurement payload monitoring system		✓
Combined gear selection and hoist control lever	✓		Machine Security System (MSS)		✓
Glass windows: front, laminated and tinted; sides and rear, toughened and tinted	✓		Product Link™ Elite: PLE641 (cellular)	✓	
Heater and defroster with four-speed fan	✓		Product Link Elite: PLE631E (satellite)		✓
Infrared glass – high ambient cab		✓	<b>ELECTRICAL AND LIGHTING</b>		
Liquid Crystal Display (LCD): alert indicator, selected gear and direction, speed or auto shift, Operation and Maintenance Manual (OMM), primary steering failure (warning), seat belt warning, secondary steering failure, Diesel Particulate Filter (DPF) regeneration filter, secondary steering energy source engaged, hour meter, retarder active	✓		Batteries (two) maintenance free	✓	
Mirrors: extensive arrangement for improved visibility	✓		Cold weather start attachment		✓
Mirrors, heated motorized		✓	Engine block heater		✓
Machine operation monitoring system: action lamp, engine oil pressure, primary steering system, left and right turn signal, high beam, coolant temperature, tachometer, parking brake, fuel level, transmission oil temperature, brake system, transmission hold, hoist control, hydraulic system, charging system, transmission fault, traction control system, check engine lamp	✓		Ether start		✓
Operator seat belt, four-point		✓	Electrical system: 24-volt, 5A 24- to 12-volt converter	✓	
Radio, Bluetooth® stereo system		✓	Flashing LED beacon		✓
Seat, heated/cooled		✓	Horn	✓	
Seats: operator – fully adjustable, air suspension, retractable lap belt; trainer – padded with retractable lap belt	✓		Lighting systems: cab interior, two head lamps, two width marker, two reversing, work light/cab access light, two stop/tail lights, front and rear direction indicators	✓	
Secondary steering – electro hydraulic	✓		Main disconnect switch	✓	
Storage: cup holder, flask receptacle (under the secondary seat), under seat storage, door pocket, behind seat storage, coat hook	✓		Remote starting receptacle (cables not included)	✓	
Sun visor	✓		Roof-mounted High Intensity Discharge (HID) work lights		✓
Tilt and telescopic steering wheel	✓		<b>POWER TRAIN</b>		
Touchscreen display incorporating the rearview camera video feed	✓		Auto shift nine-speed forward and two-speed reverse transmission	✓	
Window blinds		✓	Cat C18 engine	✓	
Window wiper and washer, two speed (rear)		✓	Cat Clean Emissions Module (CEM) and exhaust aftertreatment package	✓	
Windows (tinted) opening both sides	✓		CX38 transmission	✓	
Windshield wiper and washer, two speed, intermittent (front)	✓		Differentials: standard with automatic clutched inter- and cross-axle differential locks	✓	
			Dual circuit oil immersed, enclosed brakes – all wheels	✓	
			Retarder: engine compression brake and hydraulic	✓	
			Three axle, six-wheel drive	✓	
			<b>SAFETY</b>		
			Rearview camera	✓	
			Reverse alarm	✓	
			ROPS/FOPS cab	✓	
			<b>GUARDS</b>		
			Axle	✓	
			Crankcase	✓	
			Front dump body spill guard, integral part of fabricated body	✓	
			Radiator	✓	
			Rear window	✓	



# 745 Articulated Truck Standard & Optional Equipment

## Standard and Optional Equipment

Standard and optional equipment may vary. Consult your Cat dealer for details.

	Standard	Optional		Standard	Optional
<b>OTHER</b>			<b>OTHER (CONTINUED)</b>		
Auto lube installation for automatic greasing of bearings		✓	Mud flaps: wheel arch and body mounted with transportation tiebacks	✓	
Bare chassis (no body) long wheel base		✓	Scissor tailgate		✓
Bare chassis (no body) standard wheel base		✓	S•O•S <sup>SM</sup> sampling valves	✓	
Body liners		✓	Sound suppression (standard in EFTA*)	✓	
Cold weather coolant -51°C (-60°F)		✓	Sound suppression (optional outside EFTA*)		✓
Exhaust heated body		✓	Tires, six 29.5 R25	✓	
Fast fuel fill		✓	Vandalism protection: lockable caps	✓	
Fuel additive – anti-waxing		✓	Wheel chocks		✓

\* EFTA countries are EU countries plus Iceland, Norway, Lichtenstein, and Switzerland.

For more complete information on Cat products, dealer services, and industry solutions, visit us on the web at [www.cat.com](http://www.cat.com).

Materials and specifications are subject to change without notice. Featured machines in photos may include additional equipment. See your Cat dealer for available options.

© 2021 Caterpillar. All Rights Reserved. CAT, CATERPILLAR, LET'S DO THE WORK, their respective logos, Product Link, S•O•S, "Caterpillar Corporate Yellow", the "Power Edge" and Cat "Modern Hex" trade dress as well as corporate and product identity used herein, are trademarks of Caterpillar and may not be used without permission.

AEXQ3096-01 (11-2021)  
Build Number: 04A  
(N Am, Eur, Aus-NZ, Jpn)

